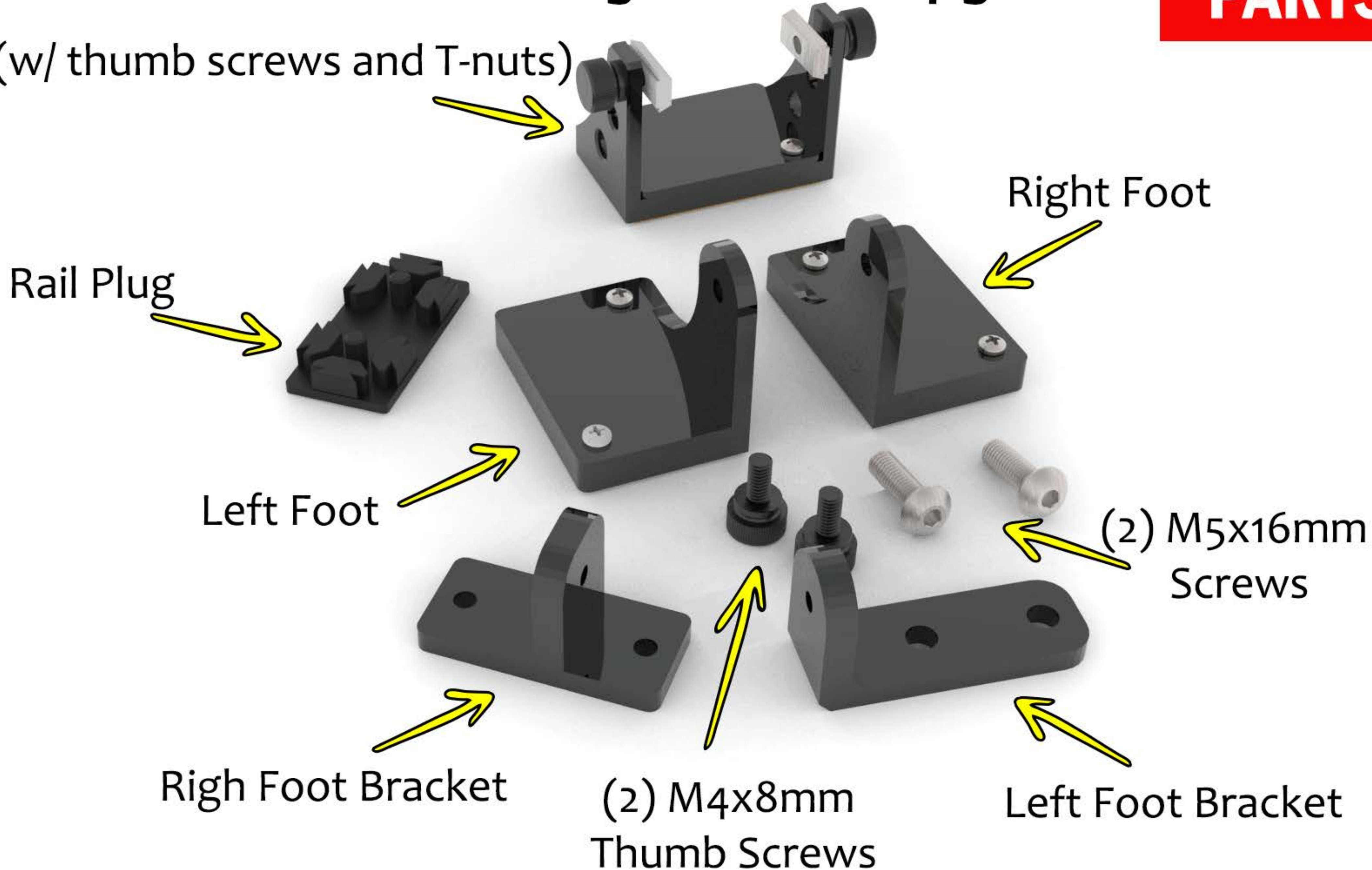


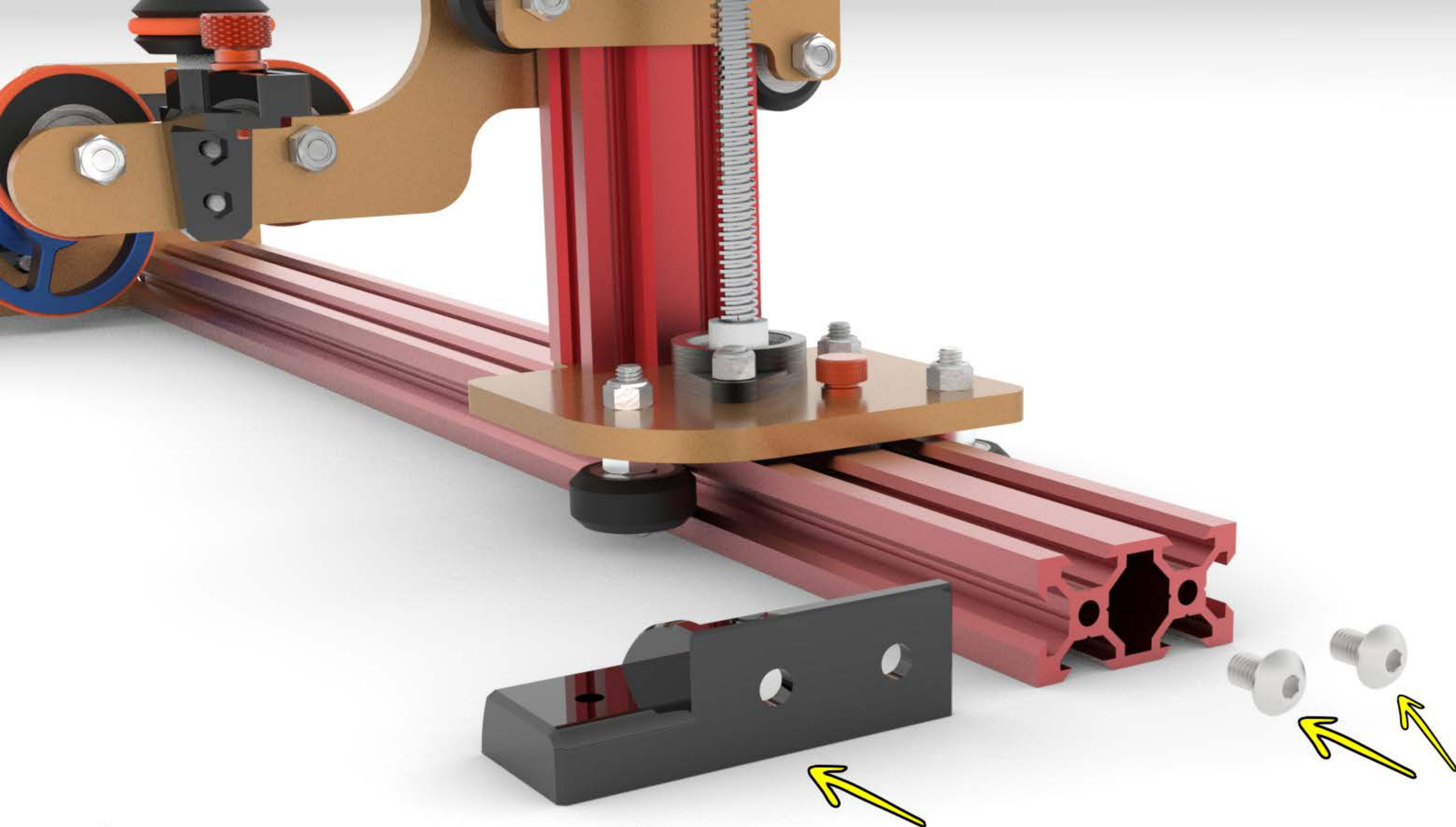
What's included with Magnetic Feet Upgrade

PARTS

Back Foot (w/ thumb screws and T-nuts)

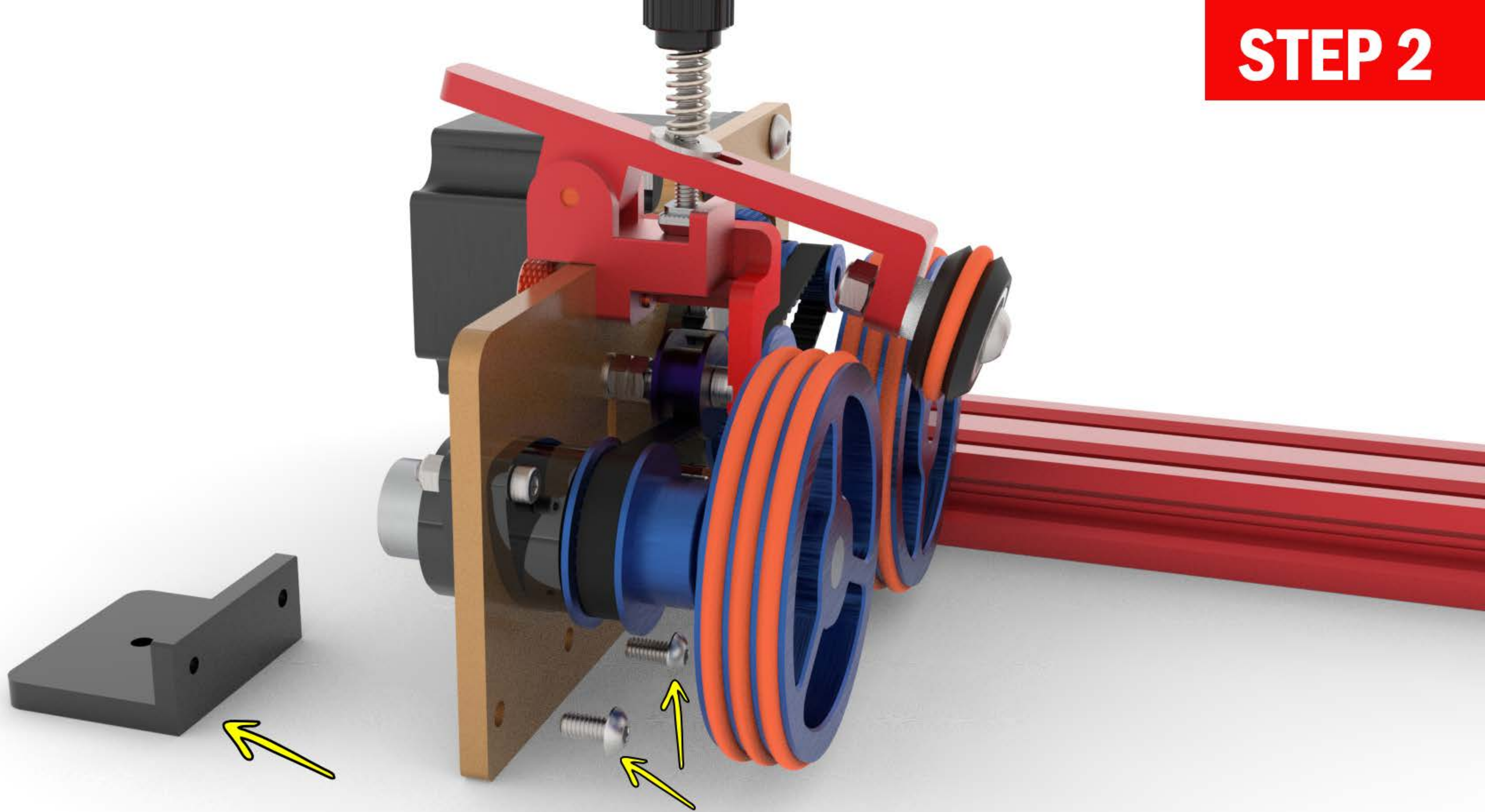


STEP 1



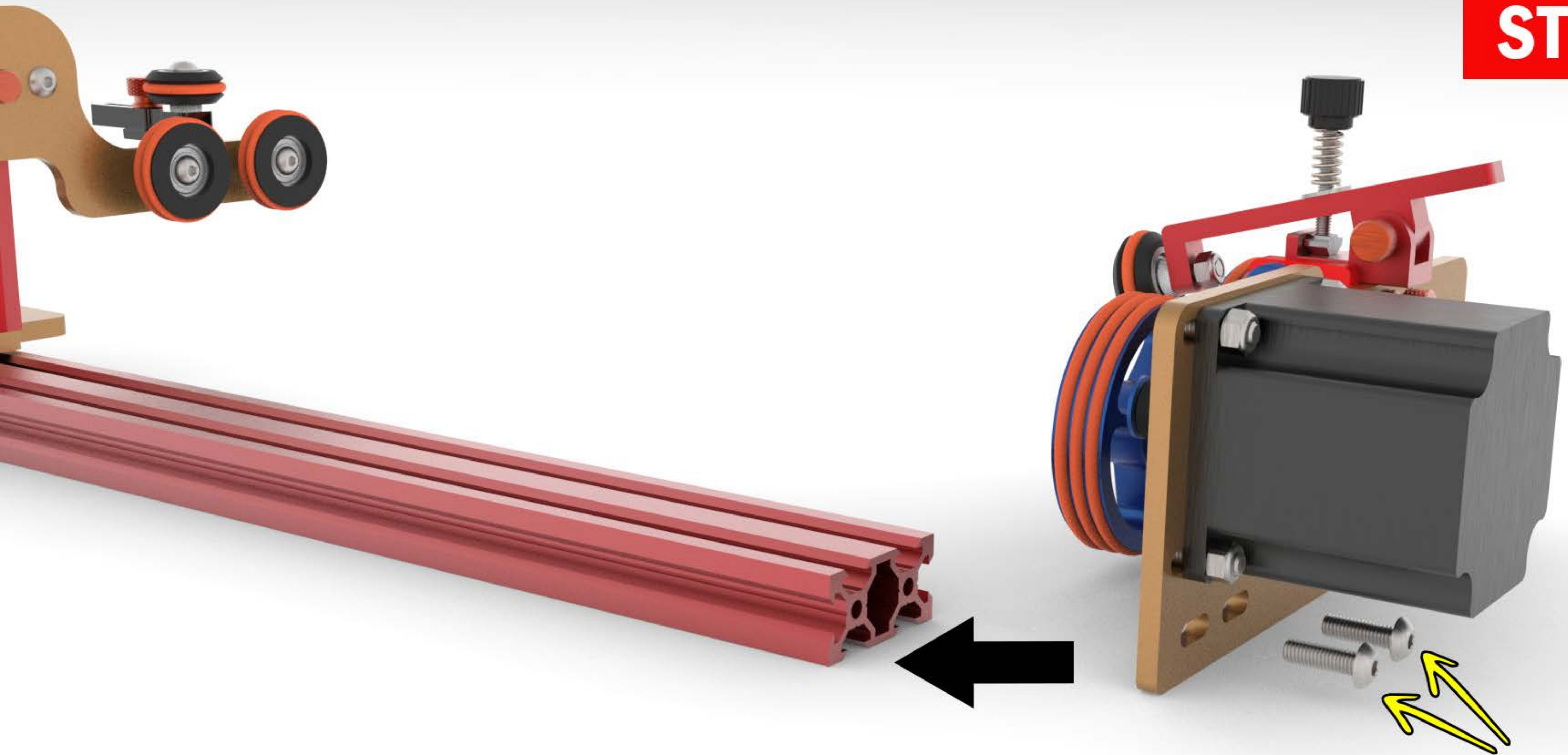
**Remove The Back Foot by unscrewing
two M5x8mm Screws**

STEP 2



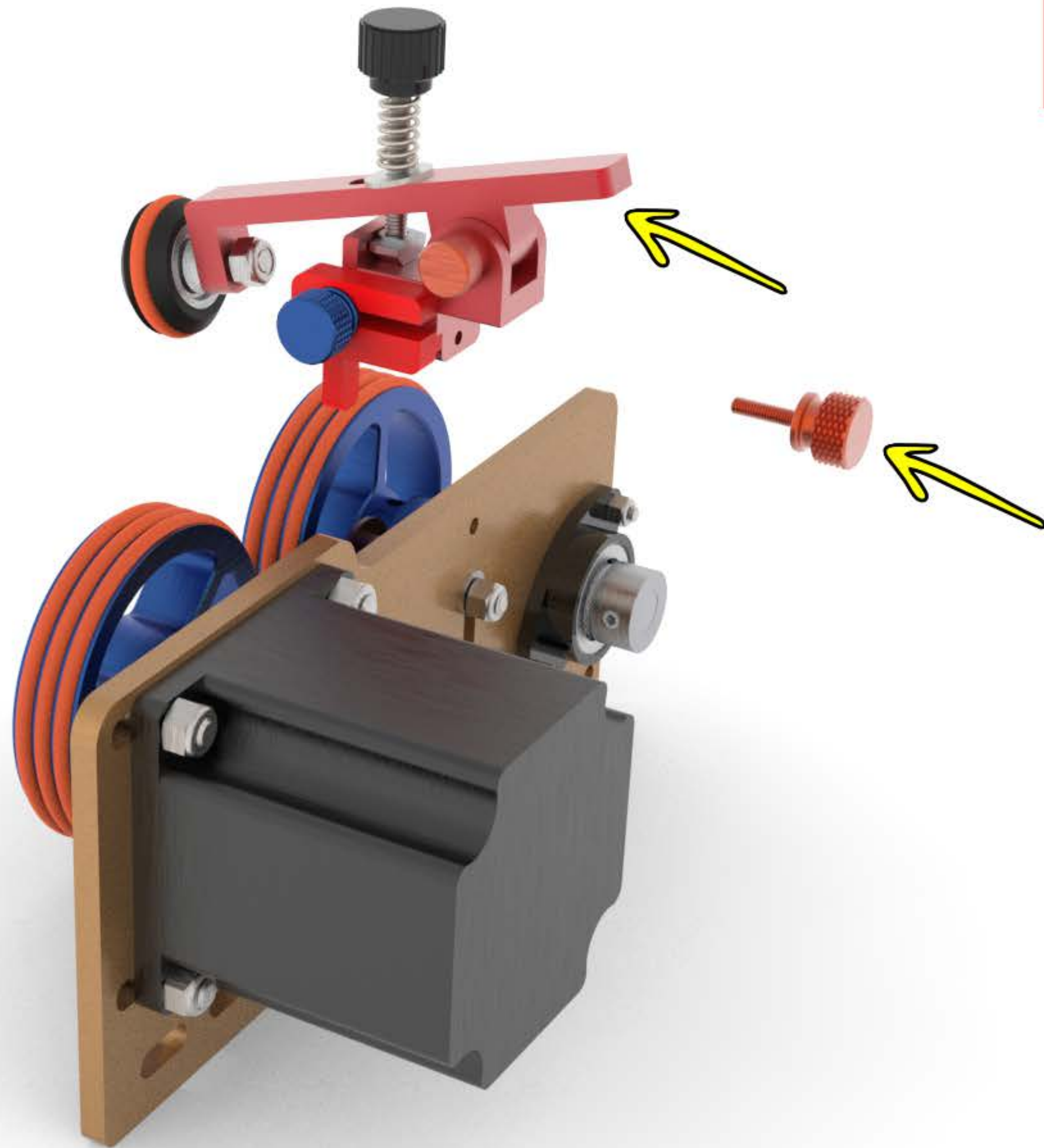
Remove The Front Foot (save screws!)

STEP 3



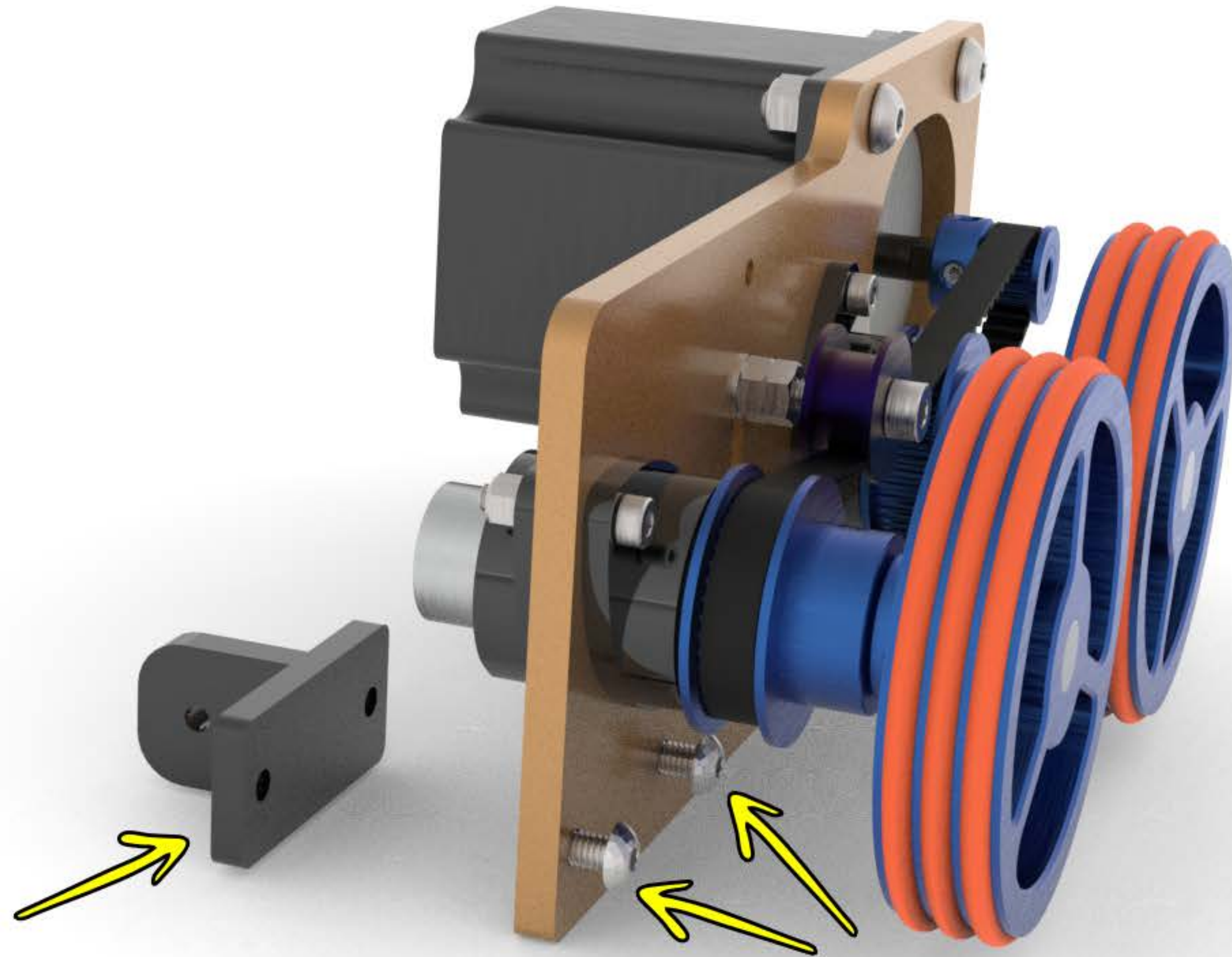
**Unscrew two M5x12mm screws
and remove rail**

STEP 4



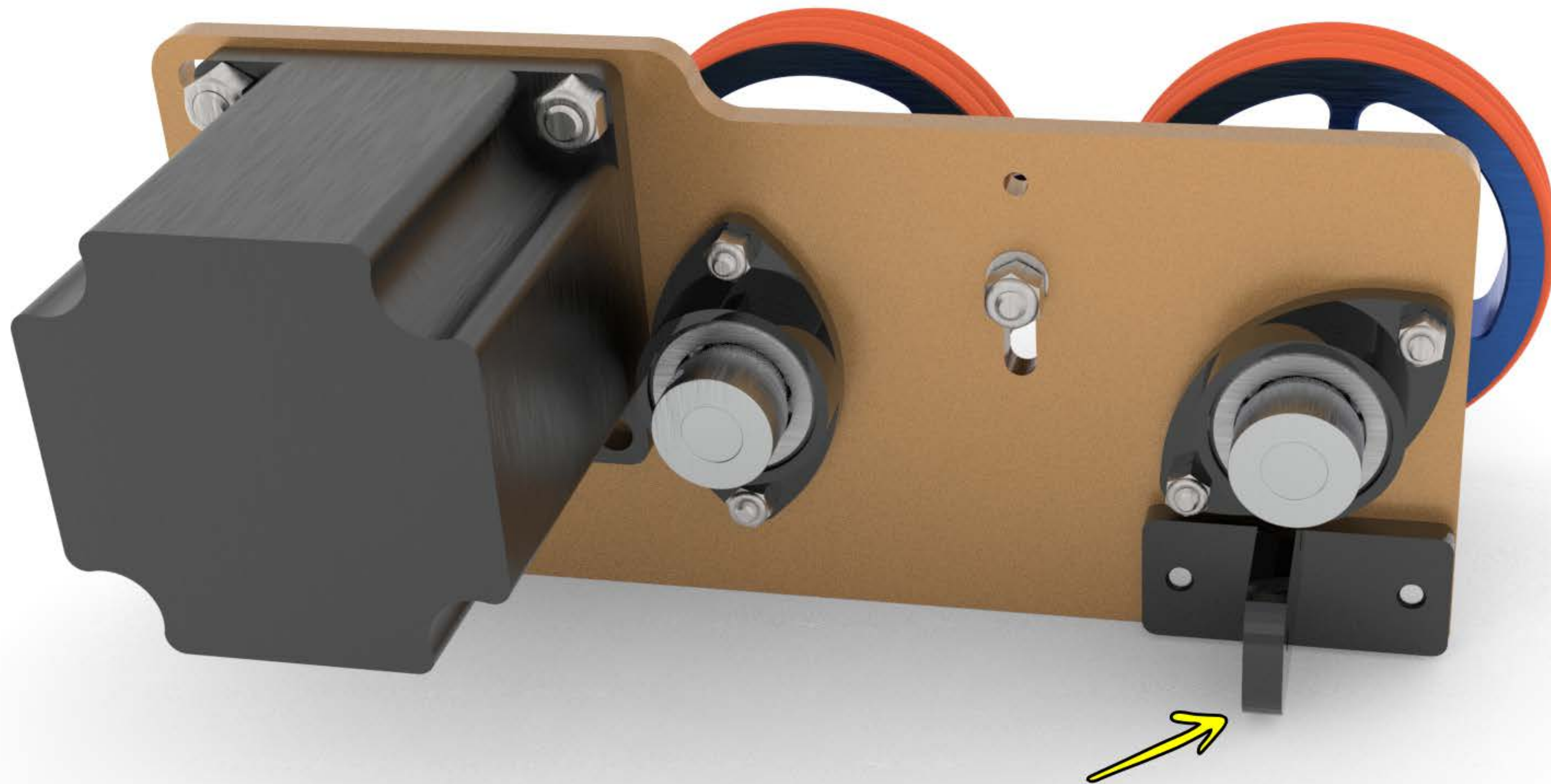
Remove The Clamp by unscrewing red M3x12mm Thumb Screw

STEP 5A



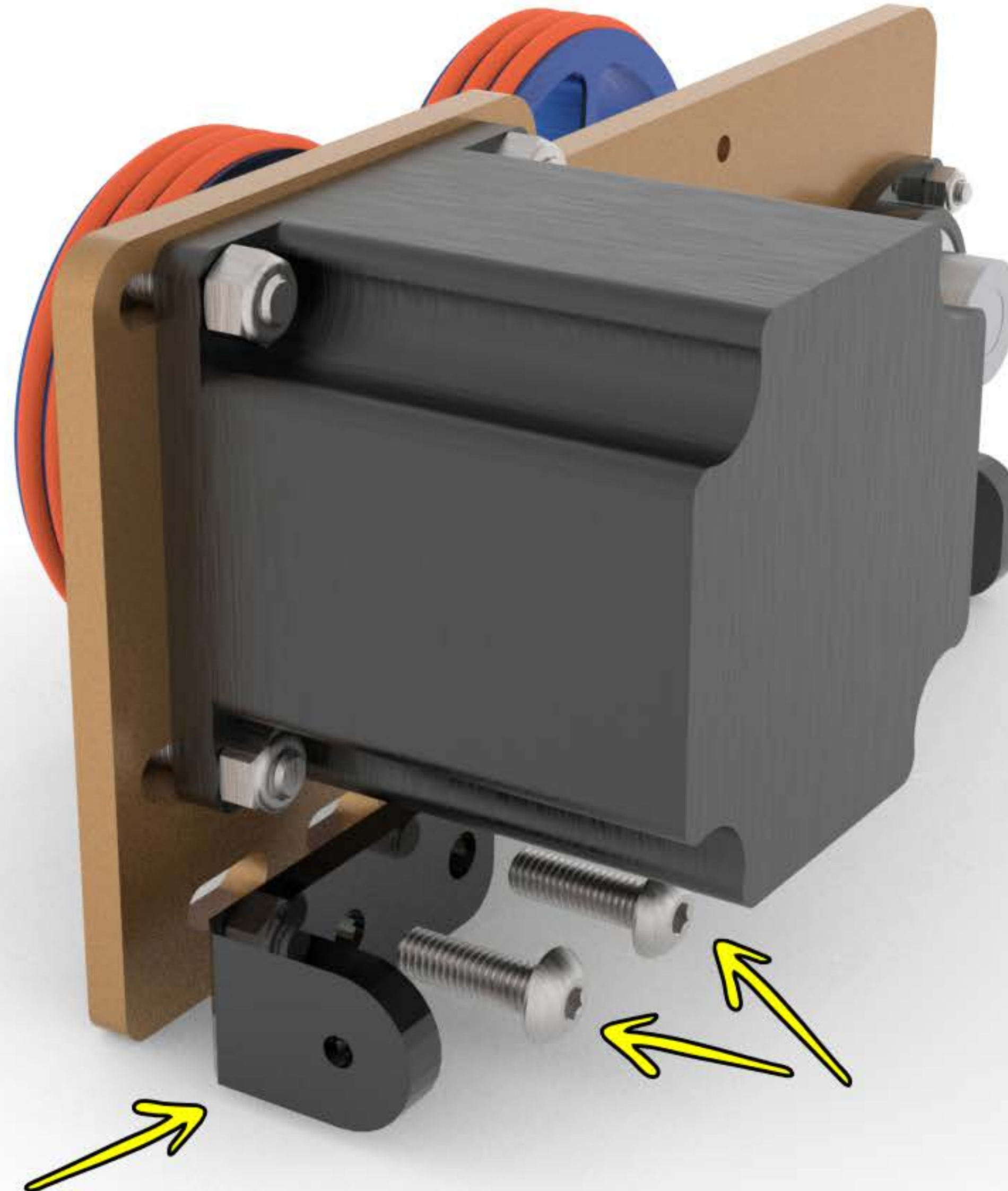
Attach Right Front Foot Bracket using M4 screws removed in step 1

STEP 5B



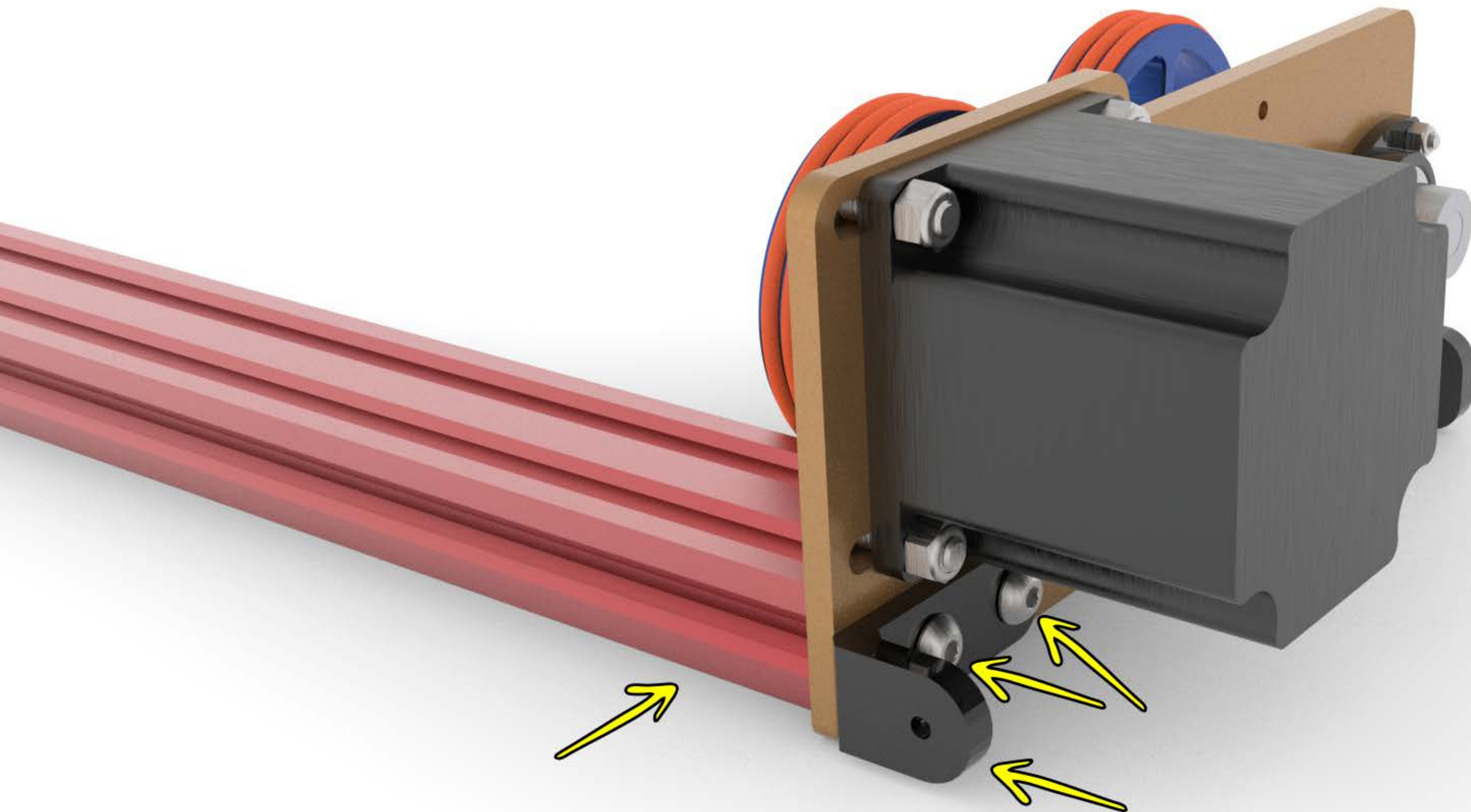
Right Front Foot Bracket

STEP 6A



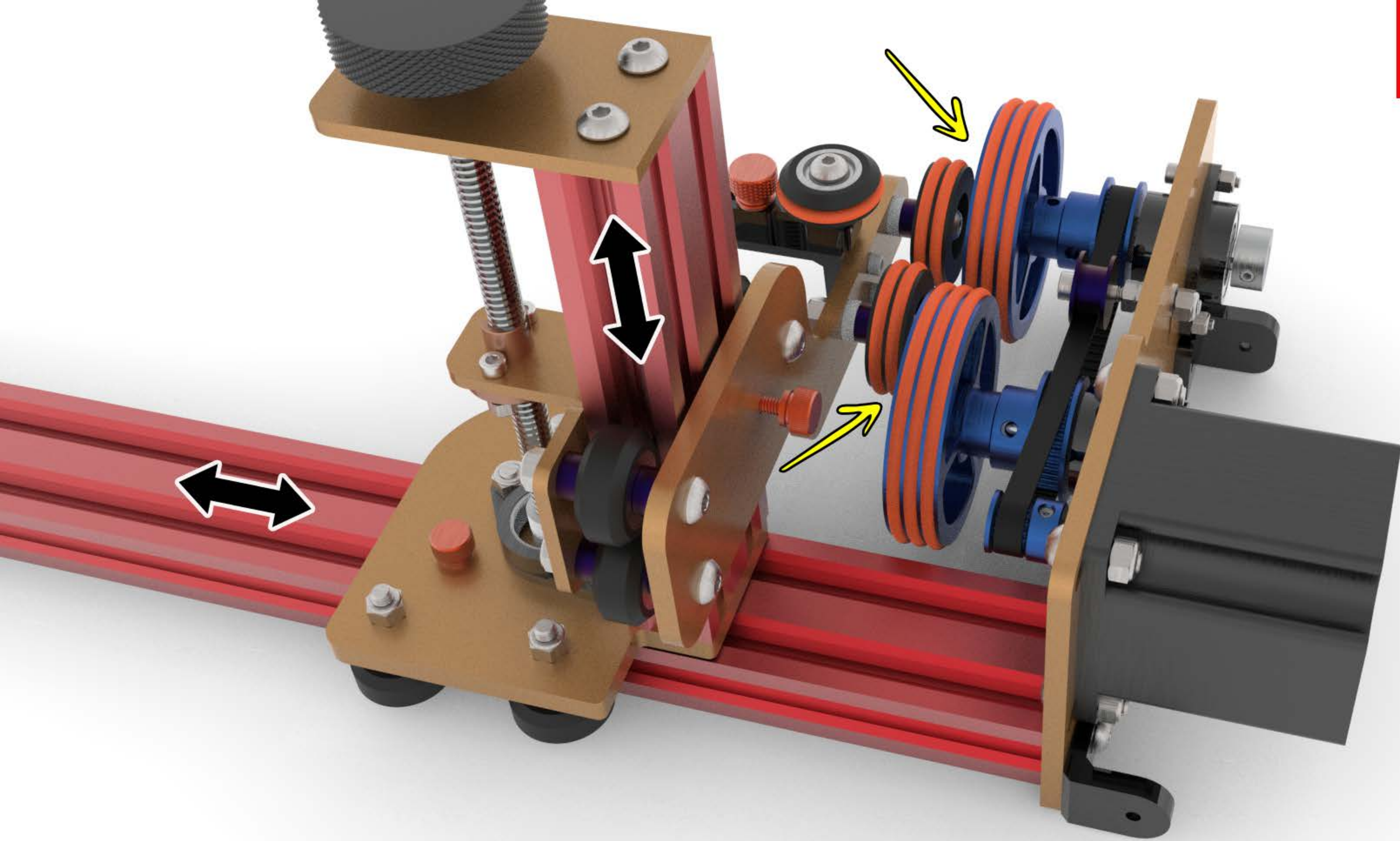
Prepare Left Front Foot Bracket and two M5x16mm screws

STEP 6B



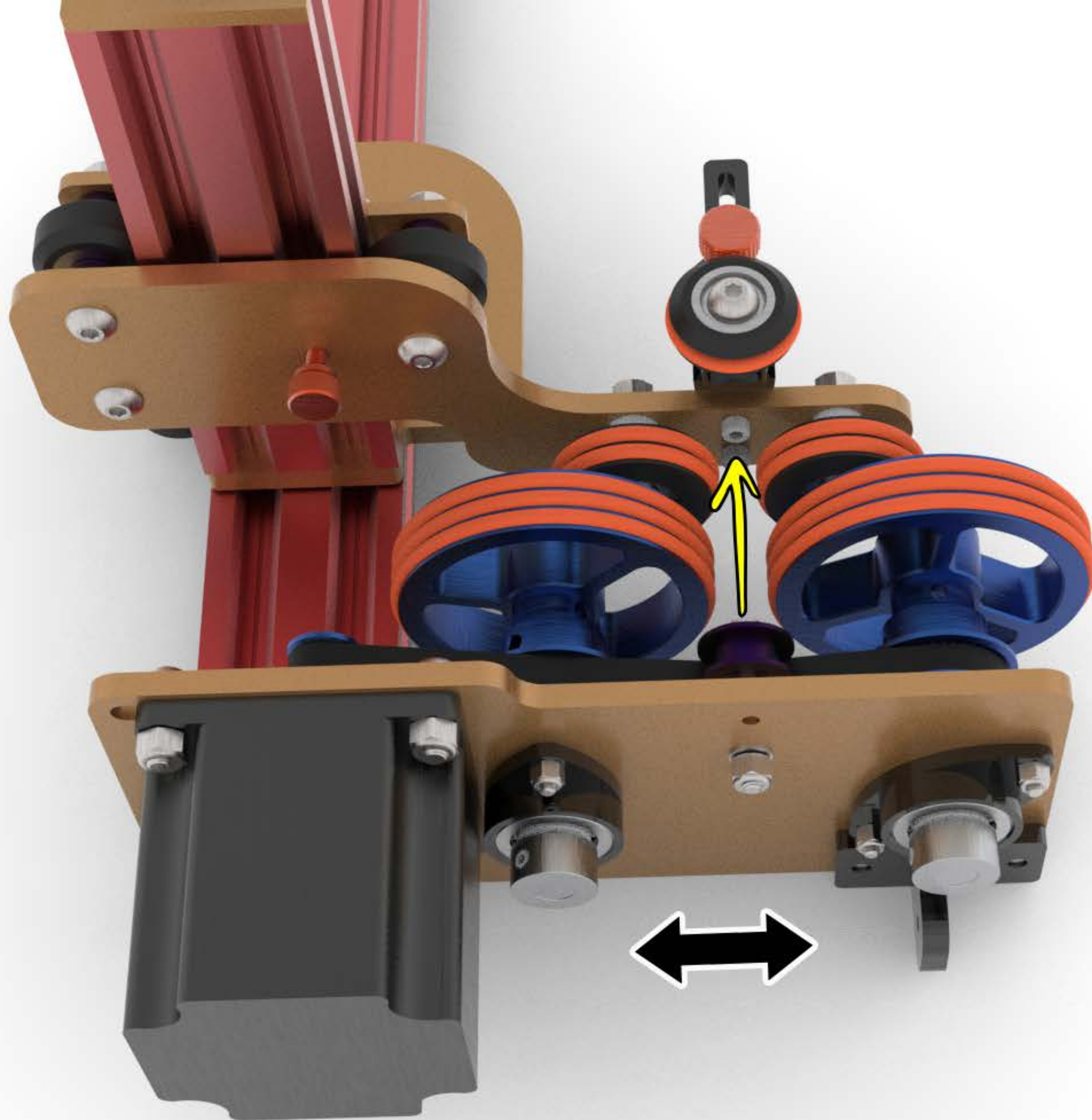
Attach as shown to the main rail. Don't tighten fully yet!

STEP 7A



Move carriage and footboard so back wheels are close to front wheels

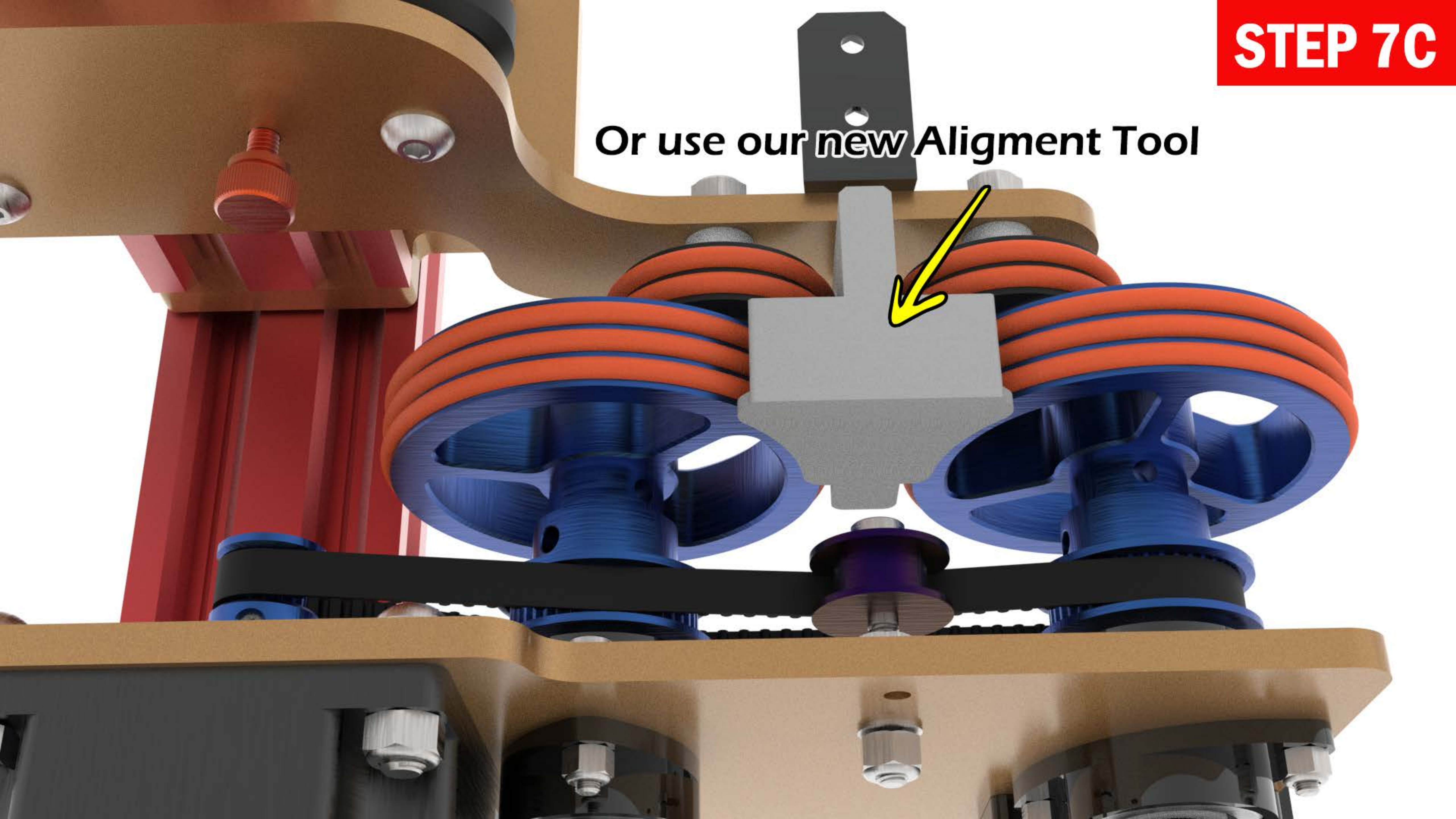
STEP 7B



Move whole head unit left/right until Front and Back wheels are aligned

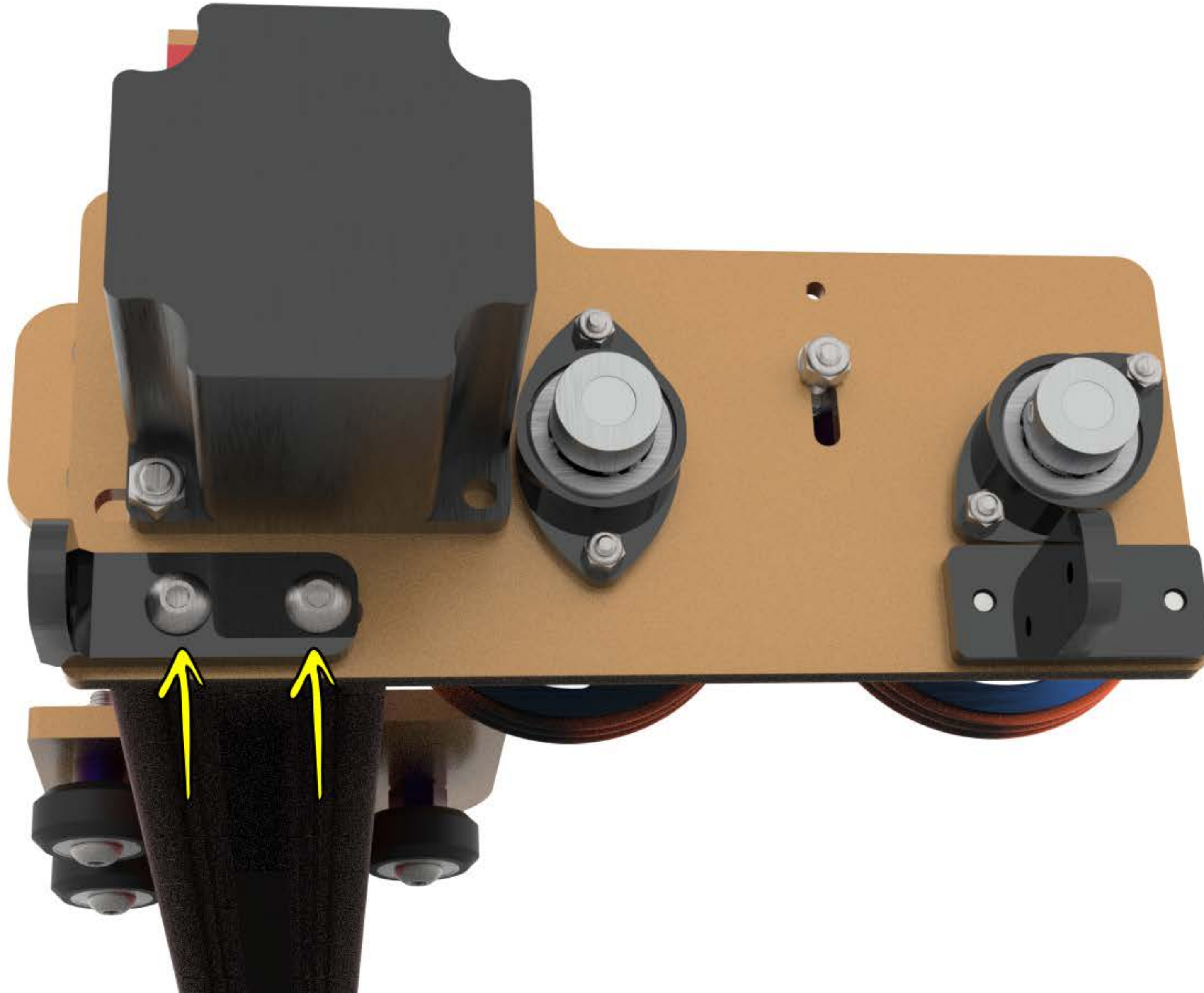
STEP 7C

Or use our *new* Alignment Tool

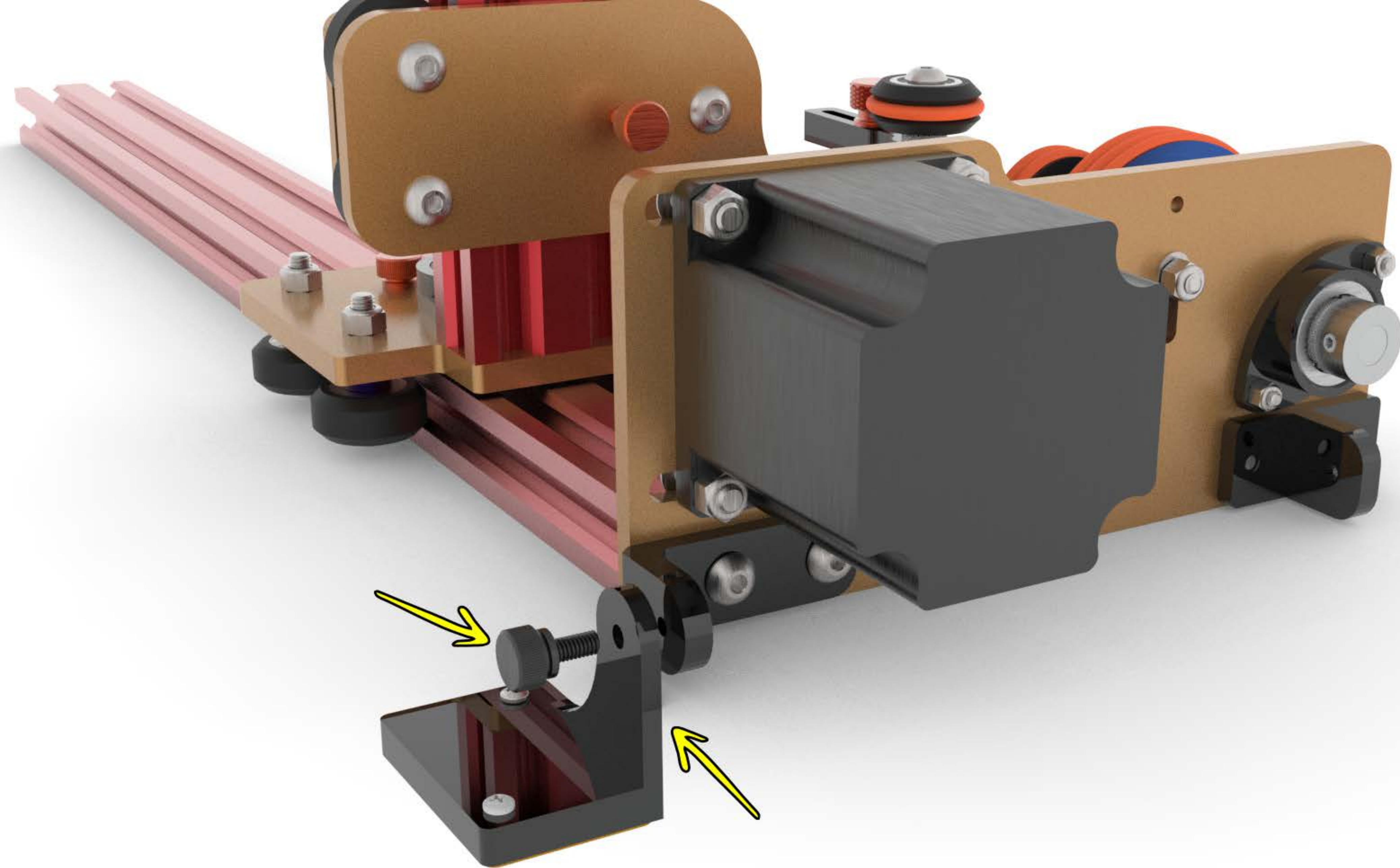


**When wheels aligned, fully tighten two M5x16 screws.
Keep an eye on alignment while tightening, it might shift!**

STEP 7D

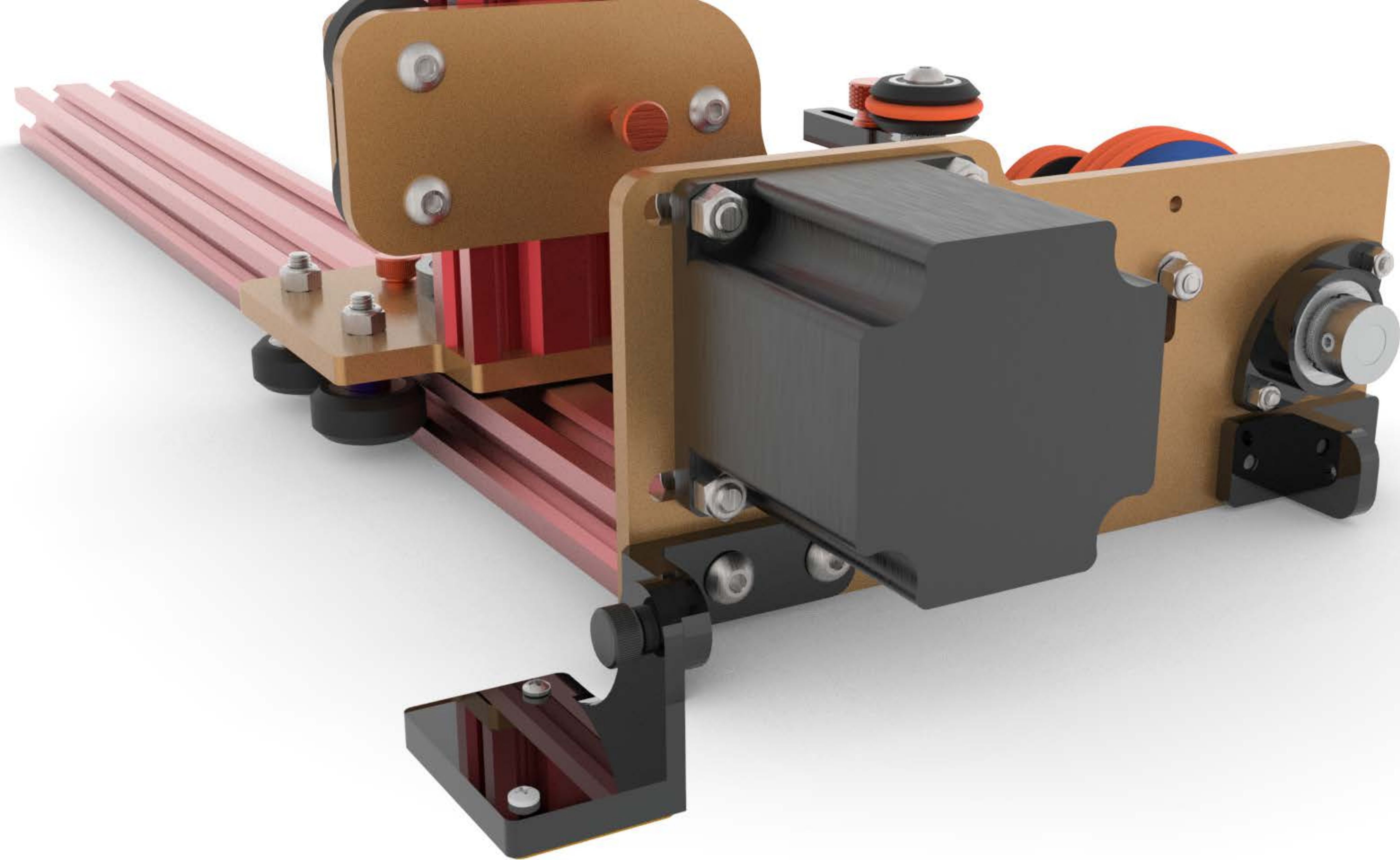


STEP 8A



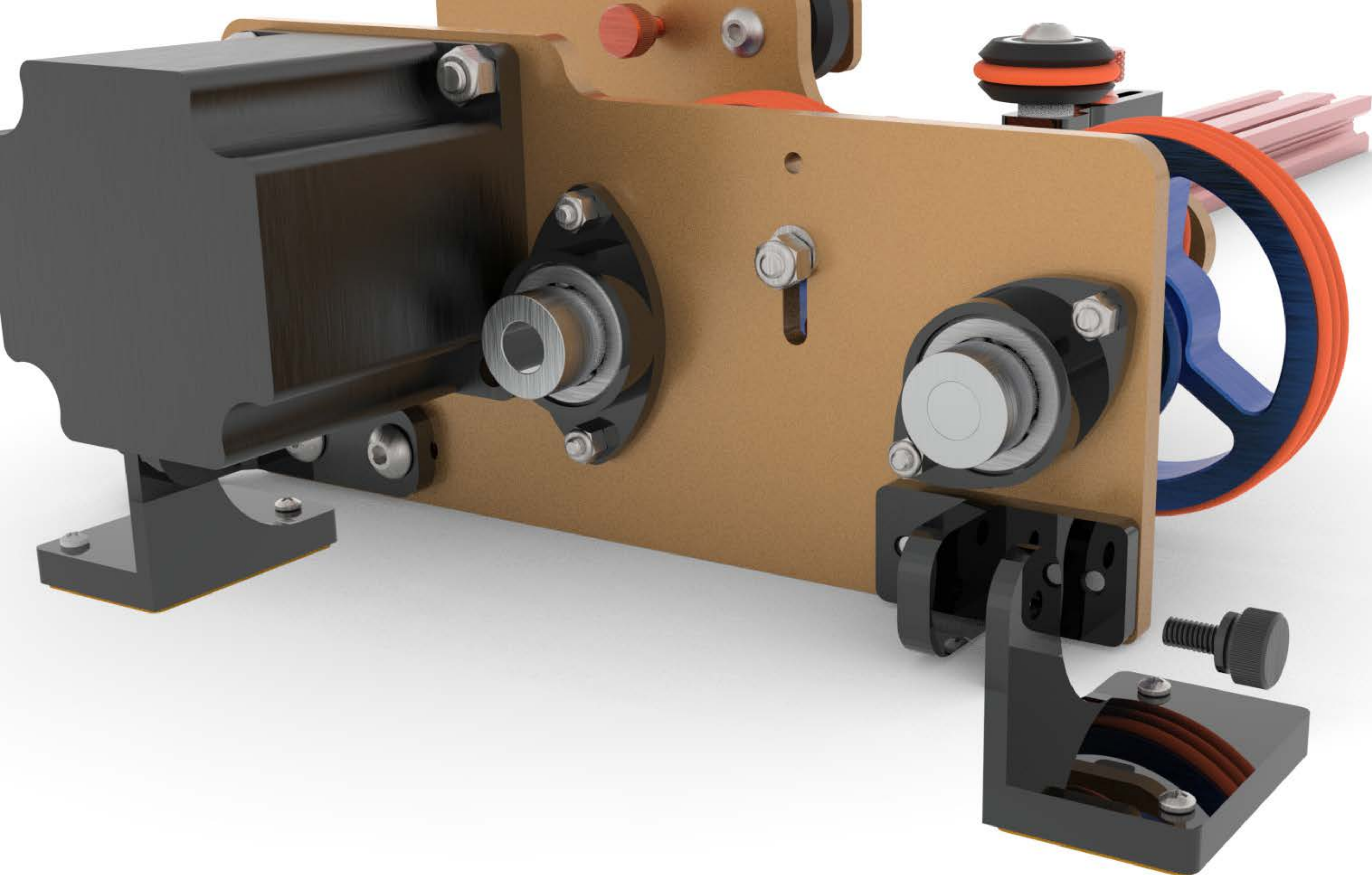
Attach Left Magnetic Foot with M4x8mm Thumb Screw

STEP 8B



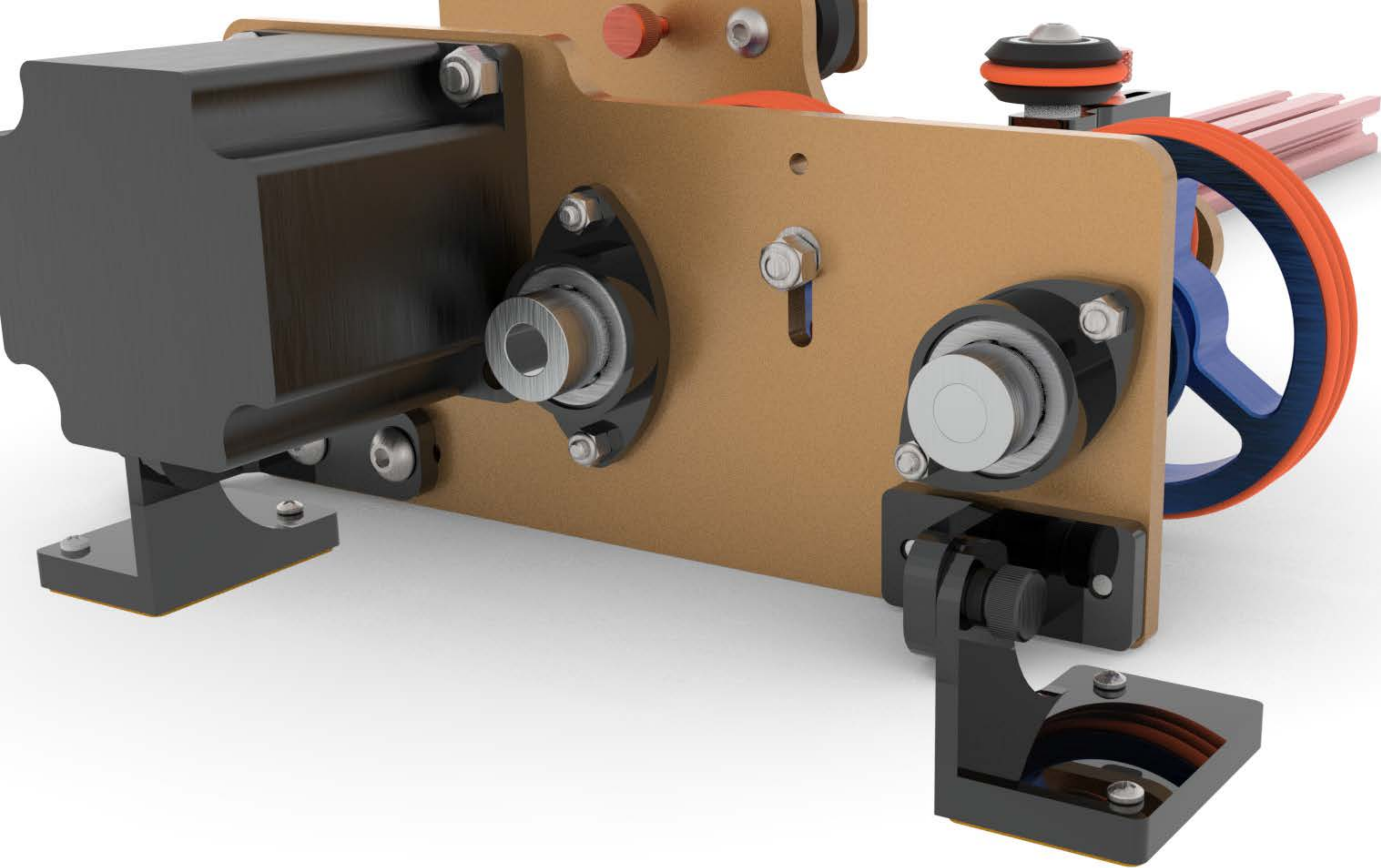
Hand Tighten The Thumb Screw

STEP 9A



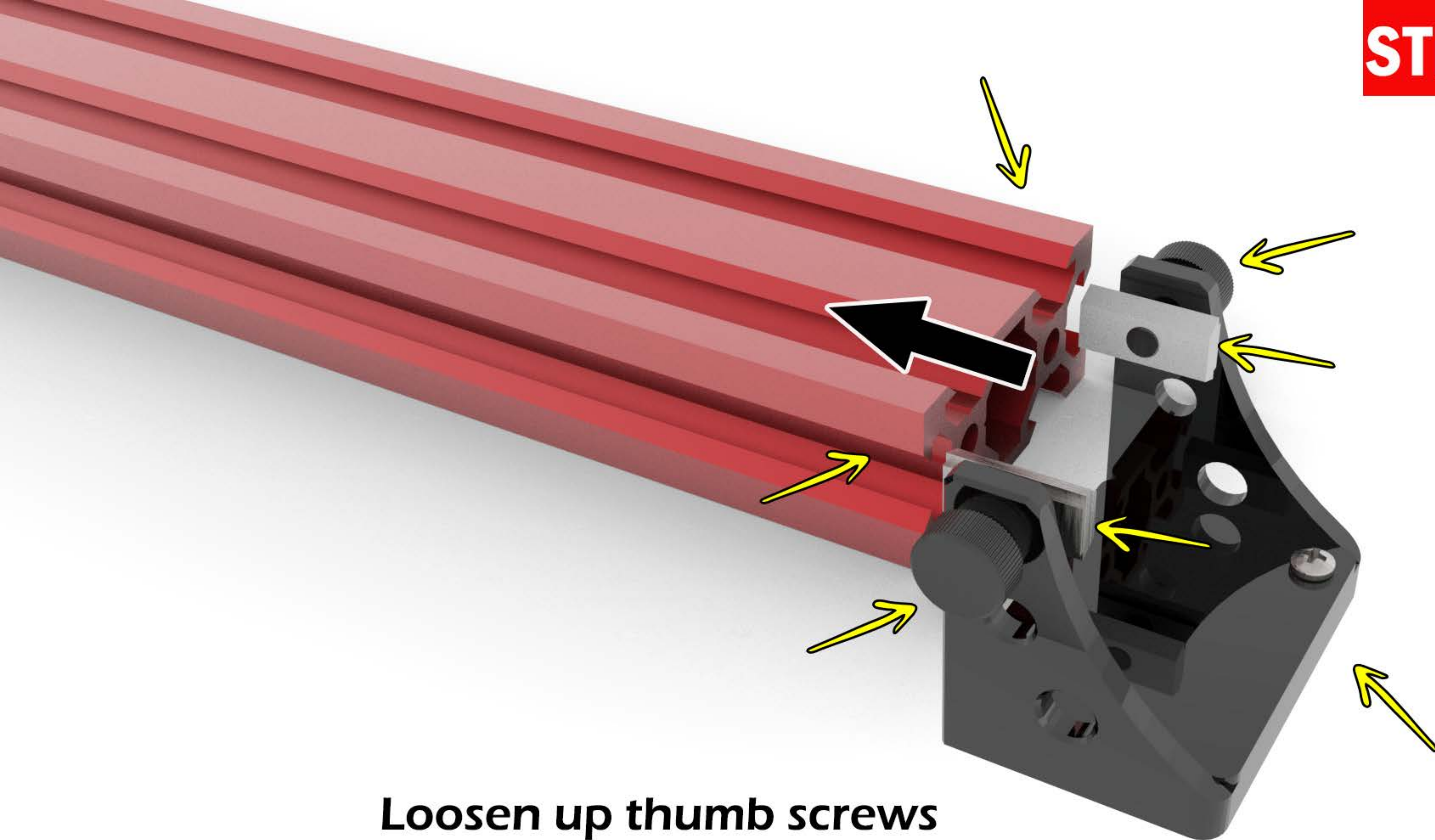
Attach Right Magnetic Foot with M4x8mm Thumb Screw

STEP 9B

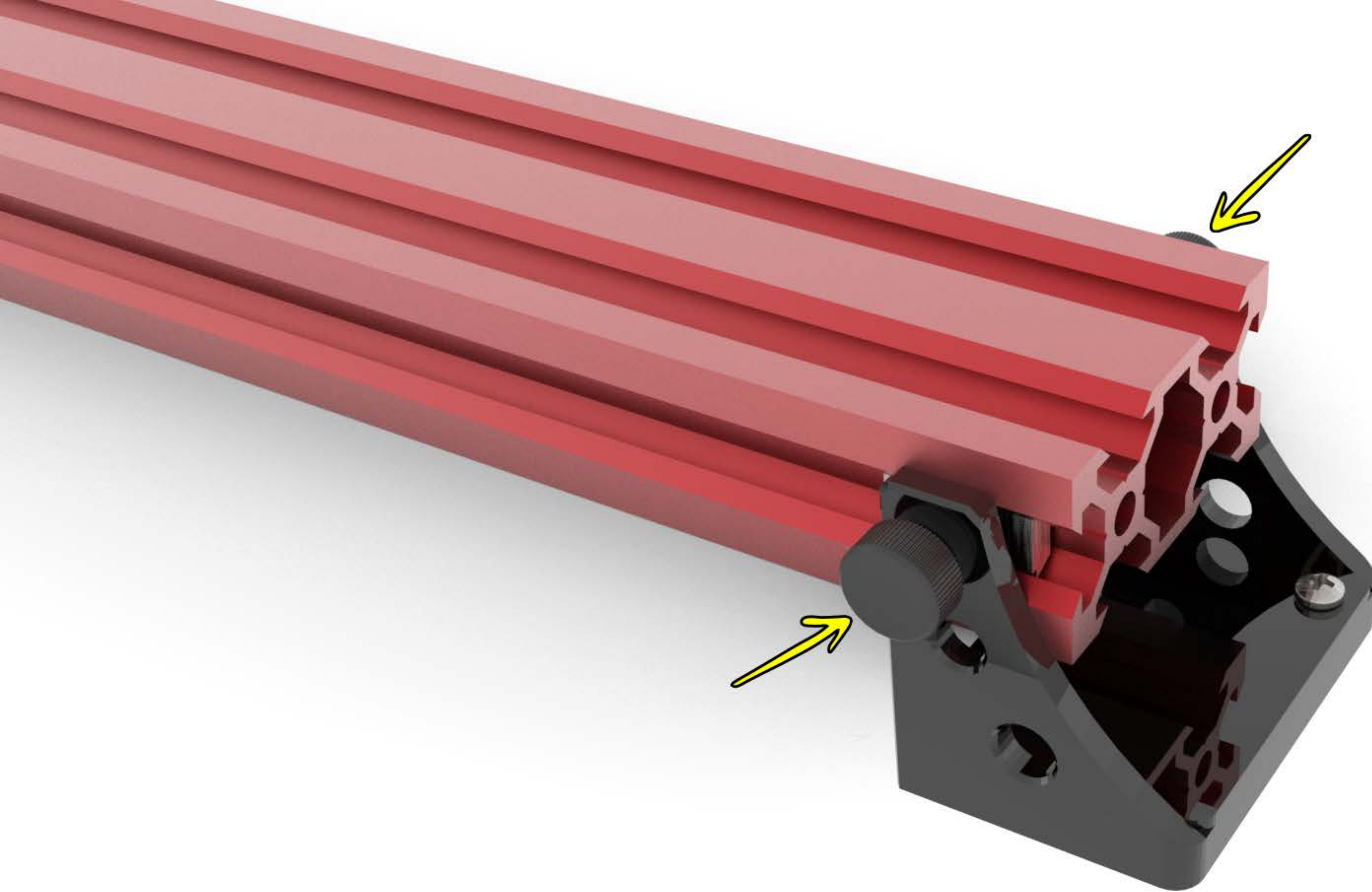


Hand Tighten The Thumb Screw

STEP 10A

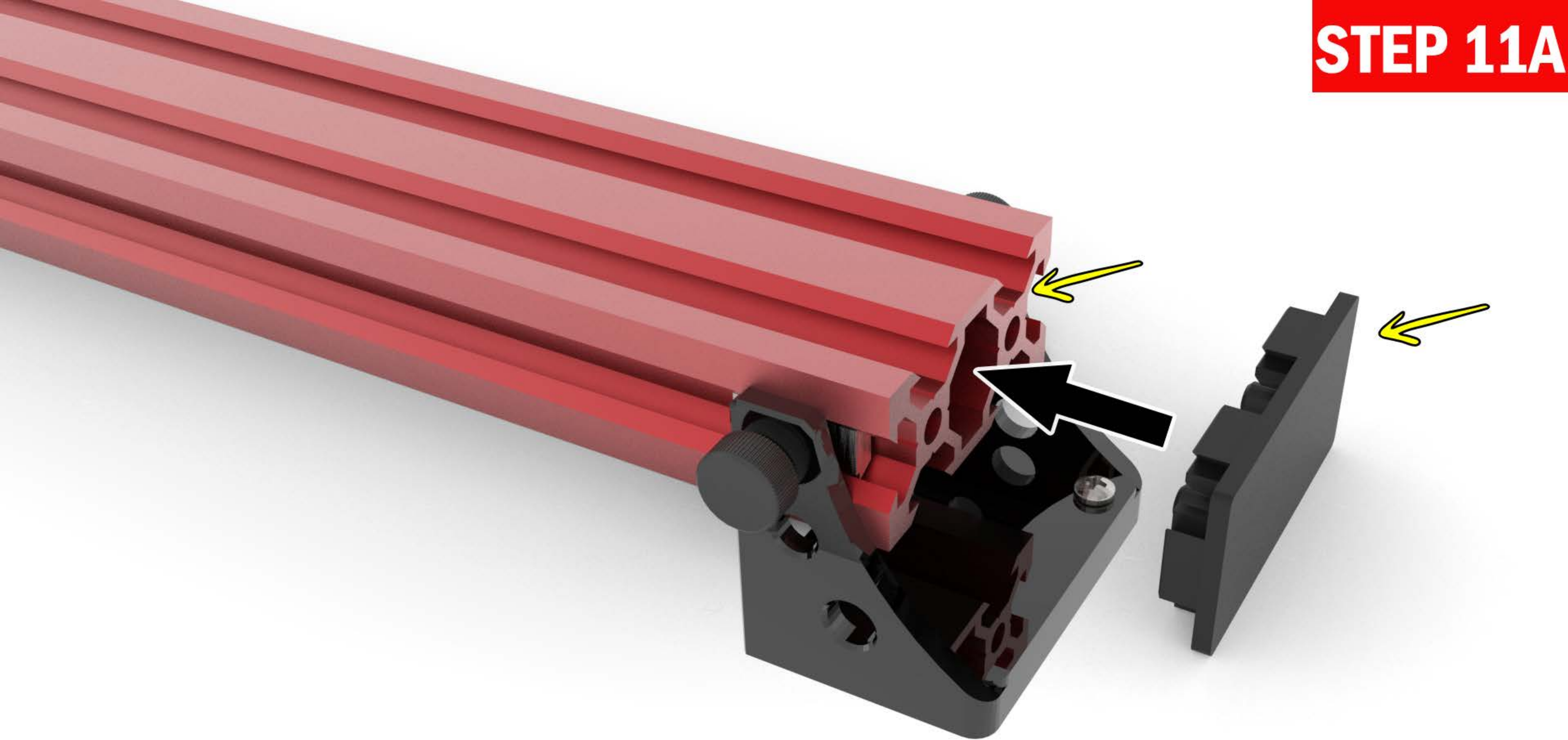


**Loosen up thumb screws
and slide T-Nuts of Back Magnetic Foot into Rail Grooves**



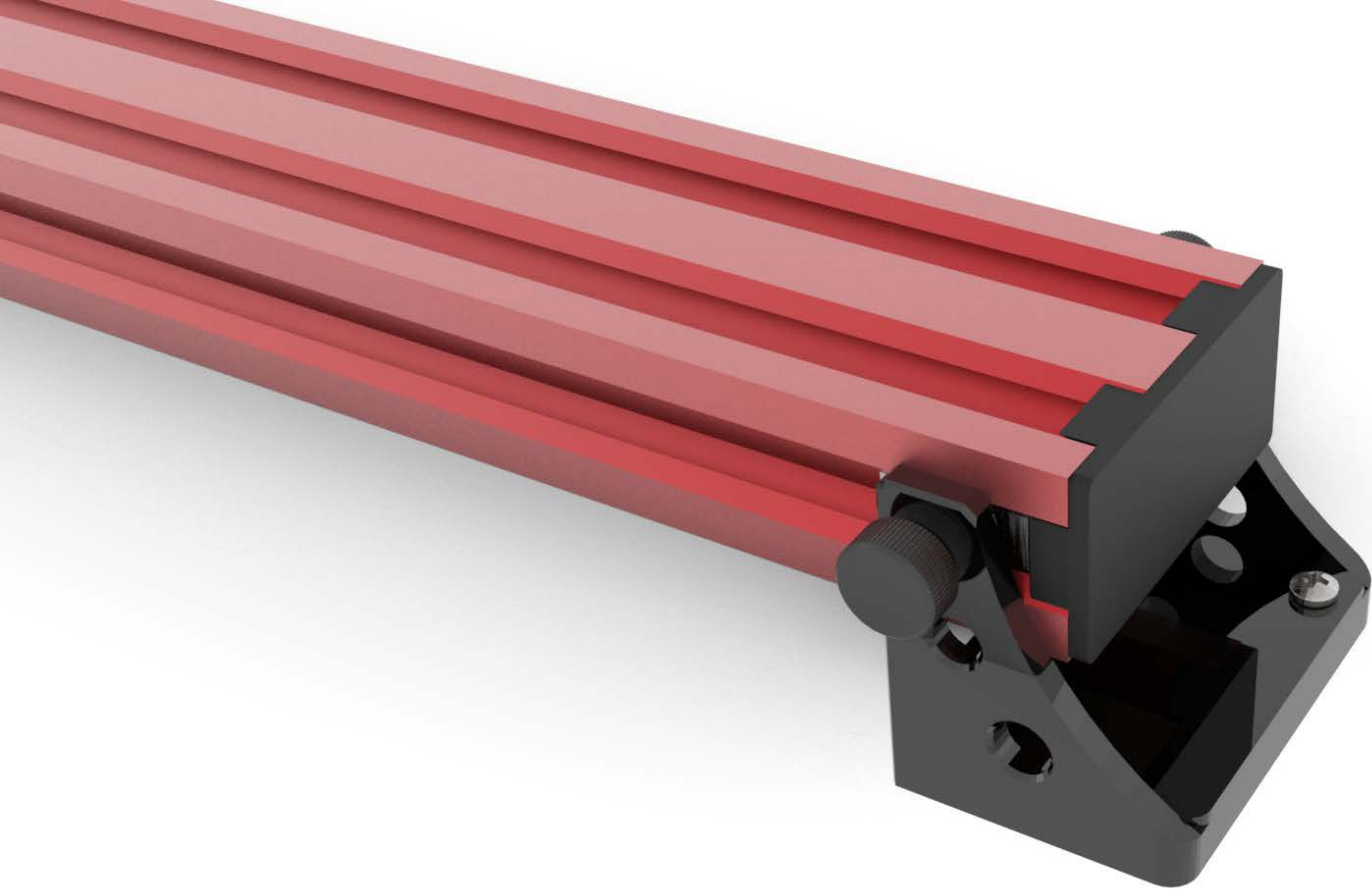
Hand tighten Thumb Screws

STEP 11A

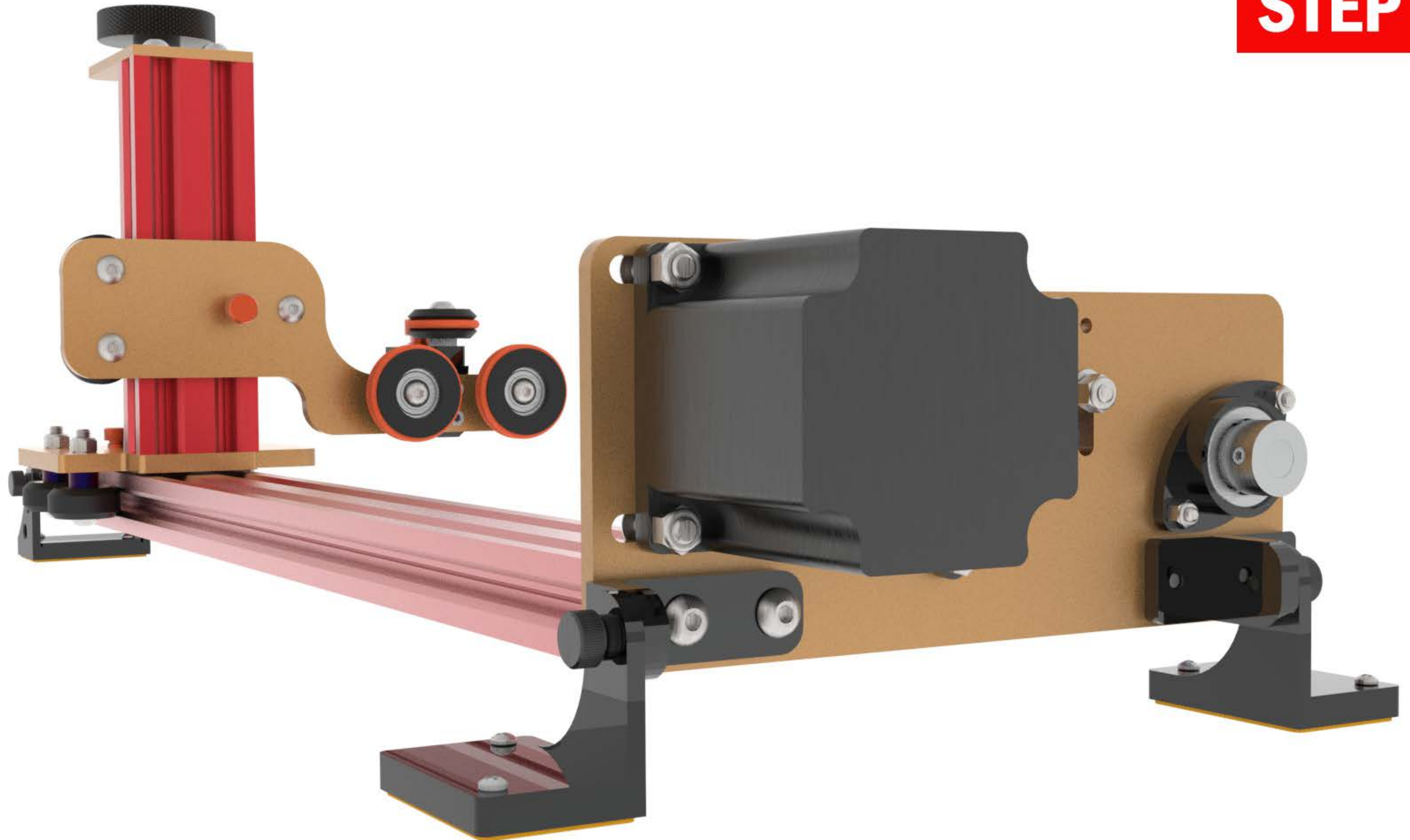


Install The Plastic Cap on the Rail end

STEP 11B

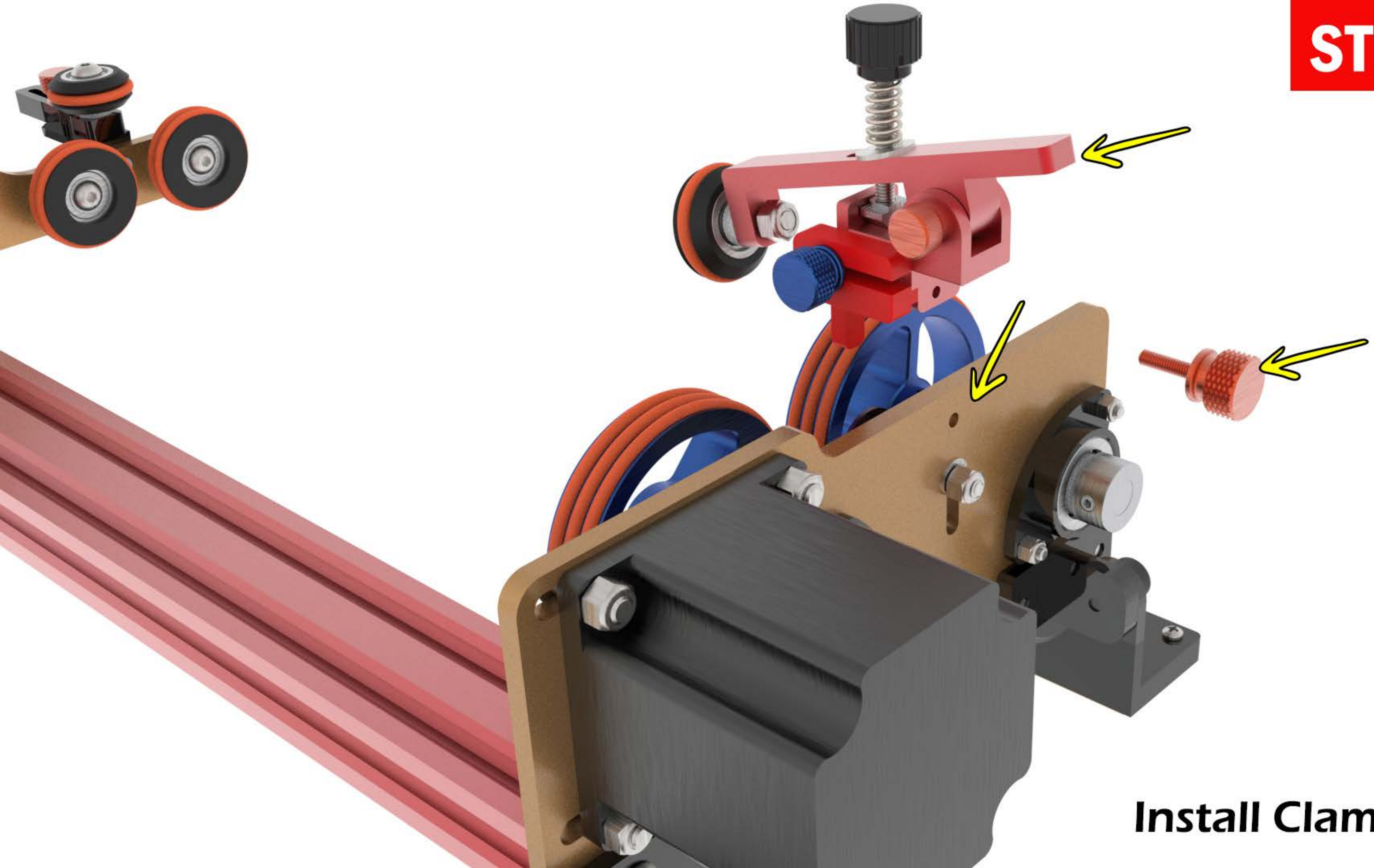


Push in Cap all the way



Check That All Magnetic Feet are Installed Correctly

STEP 13



Install Clamp