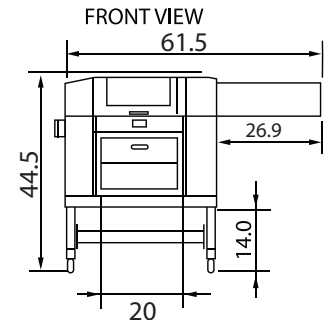
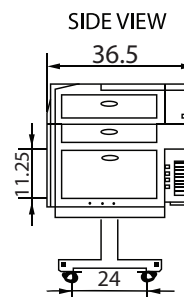
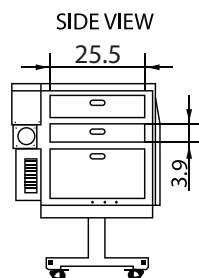
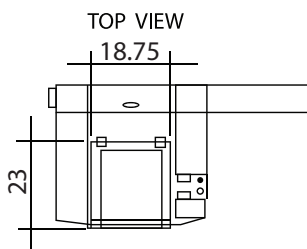
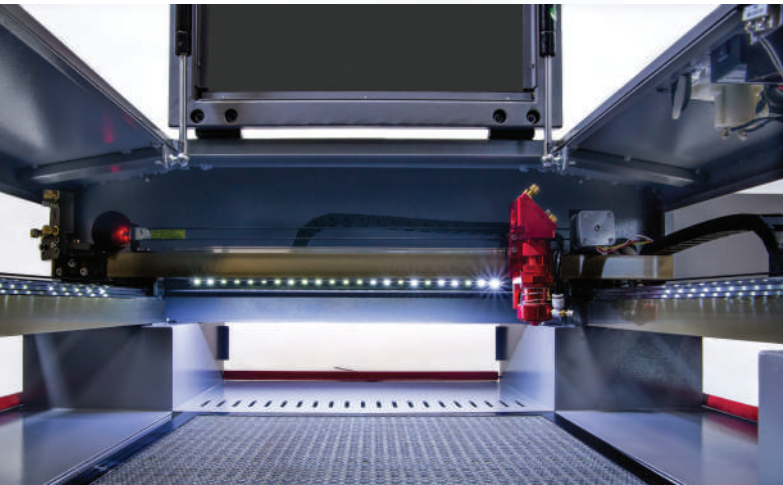
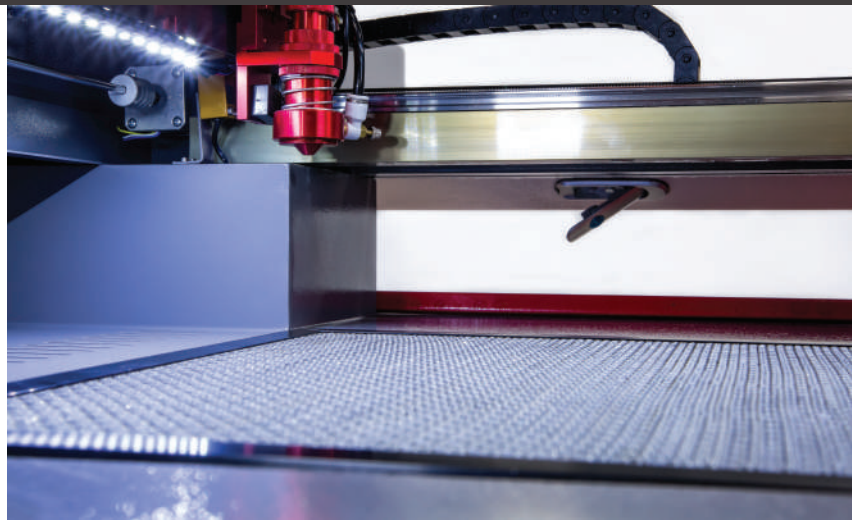


**STARTING AT: \$4,497.00****70W X-SERIES**  
LASER POWER OPTIONAL**2021 LIGHTBURN**  
**SOFTWARE \$89 OPTION****INDUSTRY LEADING****2 YEAR**  
**WARRANTY****COVERS ALL PARTS**  
**1 YEAR ON LASER TUBE****LS-1420 INCLUDES:**

- NEW! 4-WAY PASS-THRU's for greater material handling.
- RD Works Software or Upgrade to 2022 Lightburn (\$89).
- NEW! Auto focus makes focusing the laser head quick and easy
- NEW! U.S. optics from American Photonics. Proven 14% beam transmission improvement vs. imported optics.
- NEW! Inline Beam Combiner (no more red dot pointer!) illuminates red dot on the material for improved accuracy and alignment.
- Laser head Air Assist keeps smoke & debris out of the laser area
- Motorized Z Table with 8" height adjustment.
- Wi-Fi or USB connection to PC Option
- Large exhaust fan and venting for extracting smoke and fumes.
- Both Honeycomb and Knife blade platforms for cutting and engraving
- Quality CNC machined parts for long term reliability.
- Ball bearing Y axis guide rails ensures smooth & precise laser movement
- Optional Heavy Duty Rotary or Chuck attachment for cylindrical objects

- Quick access to warehoused replacement parts at an affordable cost
- Dedicated USA technical support of trained tech's and engineers.
- 30 Day "Try-It-Out" Return Policy.
- FULL 2-Year Warranty covers parts . 1-year on laser tube. Optional warranty extensions
- Free Lifetime Tech Support As long as you own the machine we're here to serve you.





**SPECIFICATIONS**

<b>Cutting Area</b>	15.75" x 13.75" or 19.75" x 13.75"	<b>Material Platform</b>	Both Honeycomb & Knife Blade cutting tables
<b>Machine Stand</b>	Steel stand w/ casters for mobility; 24" height (optional)	<b>Platform Capacity</b>	Up to 30 lbs. lifting 35 lbs. static
<b>Laser Power</b>	CO2 Glass 50W optional 70W (cut up to 3/8" wood / acrylic)	<b>Net Weight</b>	415lbs. - machine only
<b>Software Interface</b>	RD Works or Upgrade to 2021 Lightburn (\$89)	<b>Power Supply</b>	Standard AC 110V (220V upon request)
<b>Material Capacity</b>	Organics / non-metal - can mark treated metals	<b>OS Compatibility</b>	Windows, Mac OS, or Linux (32 or 64-bit)
<b>Machine Dimensions</b>	With Stand - 61.5" x 36.6" x 45.3"; Without Stand - 61.5" x 36.6" x 31.5"	<b>Laser / PC Connectivity</b>	USB and WiFi networking
<b>Venting Attachments</b>	Air Exhaust fan with extended venting pipe	<b>Job Memory Capacity</b>	128mb via. USB flash drive
<b>Motor type</b>	Hybrid Servo Motor	<b>Crate Dimensions/Gross Weight</b>	60L X 36W x 50H / 650#
<b>Z table</b>	Push button lower or raise 8"	<b>Warranty</b>	2 (two) year covers all parts. 1 (one) year on laser tube. Extension on warranty available.
		<b>Class</b>	Class 4 laser